

AAWG MUX/DEMUX Metal Module

1 Features

- Low Insertion loss
- High channel Isolation
- Good channel-to-channel uniformity
- High Reliability and Stability
- Telcordia Compliant
- RoHS Compliant



OP-100G DWDM AAWG-20-1

2 Applications

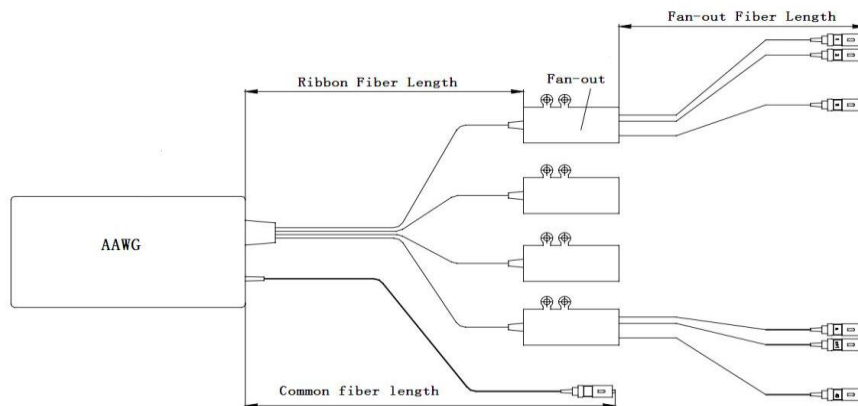
- Broadband networks
- ROADM
- CATV system
- DWDM System

3 Specifications

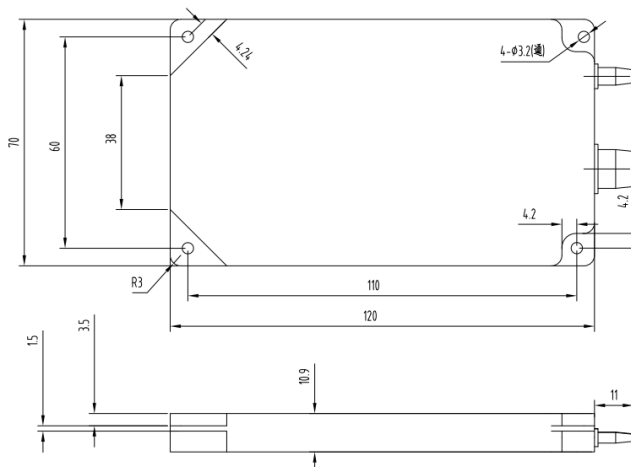
Parameters		AAWG-20CH-Gaussian
Operating Wavelength (nm)		1525~1565
Center Wavelength		ITU Grid(C21/C22/C23~C40)
Center Wavelength y Accuracy (nm)		+/-0.05
Pass band @1dB (nm)		0.2
Pass band @3dB (nm)		0.4
Channel Space (nm)		0.8
Port Insertion Loss (dB)		<3.8
Isolation (dB)	Adjacent	>27
	Non-adjacent	>35
Ripple (dB)		<1.5
PDL (dB)		<0.5

RL (dB)	>40
Directivity (dB)	>50
Power (mw)	<300
Fiber Type	G657.A1 with 0.9mm loose tube
Fiber Length(m) (Ribbon Fiber+Fan-out Fiber)	0.5+/-0.1
Connector	LC/UPC
Operating Temperature (°C)	-5~75
Storage Temperature (°C)	-40~85
Housing (mm)	120*70*11

4 Structure Diagram



5 Mechanical Dimensions



6 Ordering information

AAWG	-	XX	X	X	XX	XX	XX	XX	-	X	X
		Channel No.	WDM Type	MUX/DEMUX Type	Initial CW	Package Type	Fiber Type	Fiber Length		Input Connector	Output Connector
AAWG		20= 20CH	X=100G	M=Mux	21=C21	ST=120*70*11	09=0.9mm loose tube	05=0.5m		0=No	0=No
				D= Demux						1=FC/UPC	1=FC/UPC
				M&D=Mux&Demux	...					2=FC/APC	2=FC/APC
										3=SC/UPC	3=SC/UPC
										4=SC/APC	4=SC/APC
										5=LC/UPC	5=LC/UPC
										6=LC/APC	6=LC/APC

Part Number	Product Description
AAWG-20XM21ST0905-55	100G AAWG Mux Module C21~C40,20CH Port, Metal box(120*70*11mm), 0.25m Ribbon Fiber&0.25m Fanout Fiber with 0.9mm White Tube color, LC/UPC connectors.